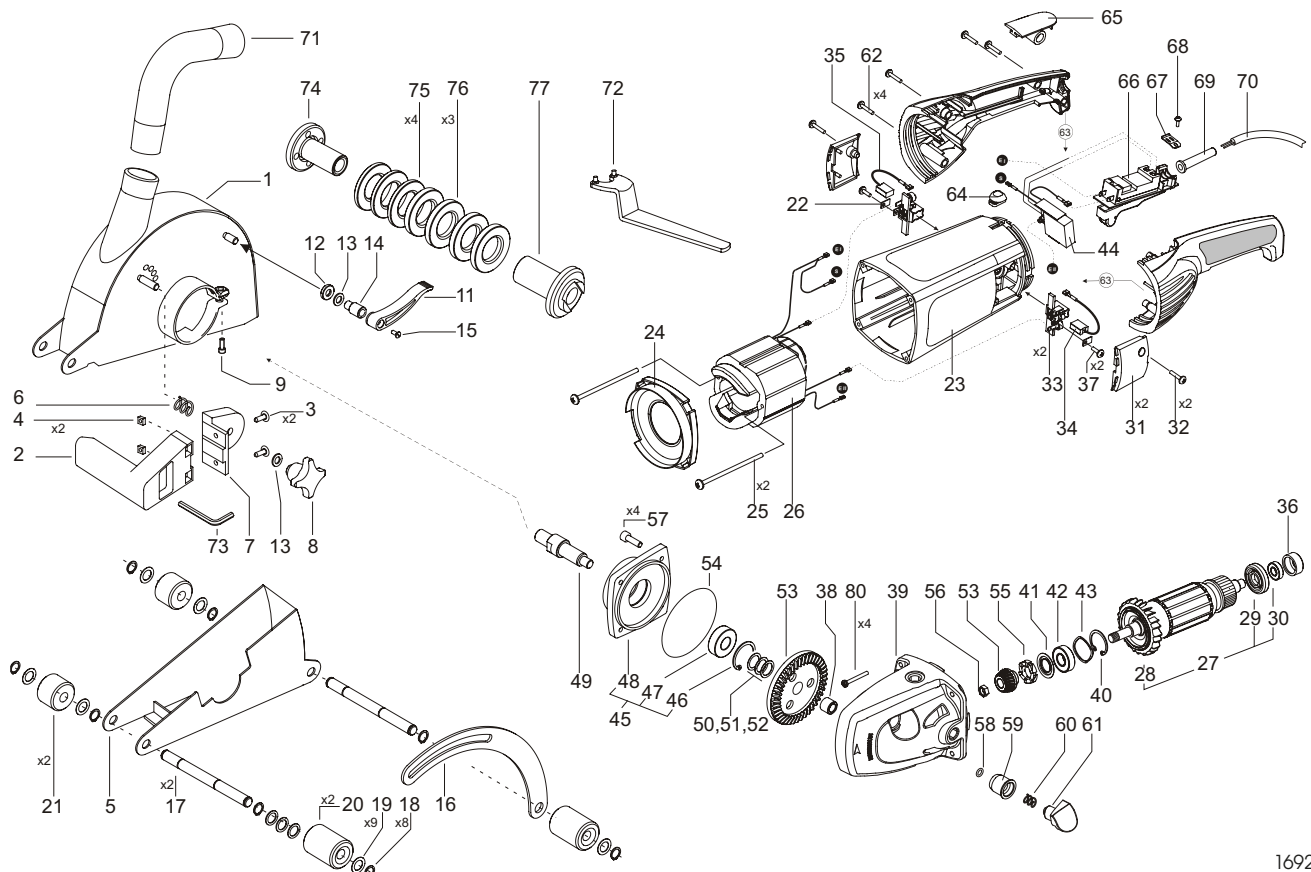


POS. No.	Ref.No.	Description	POS. No.	Ref.No.	Description
1	152428	Guard	42	330943	Bearing 6202 2RSL P63 LDS18SpA
2	130992	Handle	43	117268	Spring washer
3	360761	Screw M5X14	44	154237	Electronic block
4	360086	Nut M5	45	152125	Bearing bed
5	152423	Base plate	46	330473	Circlip A40-1D
6	127312	Spring	47	330124	Bearing 6203-2RS
7	127226	Plate	48	151611	Bearing bed
8	127225	Special nut	49	152097	Spindle
9	360076	Screw M8x25	51	117504	Spacer washer
11	118964	Lever	52	117505	Spacer washer
12	127230	Padding washer	53	117509	Gear set
13	360054	Washer M8	54	330352	O-ring 80X2B
14	127221	Special nut	55	113540	Oil - churning bush
15	360672	Screw M4x10	56	113256	Nut
16	127213	Plate	57	360246	Screw M5x16
17	127214	Axle	58	330342	O-ring 6X2B
18	330483	Circlip B12	59	154663	Bush
19	115958	Spacer washer	60	117277	Spring
20	154325	Roller L 50	61	151613	Lock button
21	154326	Roller L 28	62	361328	Screw K4x18 TORX 20
22	113244	Spiral spring	63	151656	Casing handle set
23	151649	Body	64	151658	Rubber pad
24	151651	Diffuser	65	152701	Cover
25	361433	Screw 3,9X80	66	153325	Switch
26	152806	Stator set	67	151671	Cord clamp
27	151679	Armature set	68	361360	Screw K 4X9.5 TORX 20
28	152160	Fan	69	120724	Cord protector
29	151648	Protective washer	70	152574	Cord with a plug
30	330308	Bearing 60822P63LDS18	71	127212	Pipe
31	151650	Brush holder cover	72	150014	Special spanner 200
32	361402	Screw K4X13 TORX 20	73	370116	Spanner hexagonal 6A
33	190020	Brush holder set	74	127220	Collar
33	19002001	Brush holder set	75	127217	Spacer washer
34	153015	Brush with a switch	76	127218	Spacer washer
35	153014	Brush	77	127219	Locking nut
36	164934	Rubber bush	80	361370	Screw K5X25(D10) TORX 20
37	361360	Screw K 4X9.5 TORX 20	76	127218	Spacer washer
38	330125	Bearing HK 1212	77	153089	Collar
39	151657	Gear box set	78	606738	Spanner 4
40	330732	Circlip A35-1D	79	154268	Spanner 173 set
41	330126	Dust protector/NILOS-ring 6202	80	146375	Handle AVR M8/L10

hll 30.Nov.2013 -



169297

169296